



MASTER & DYNAMIC

MC300 WIRELESS CHARGE PAD  
AND HEADPHONE STAND

QUICKSTART GUIDE

ASSEMBLY

ASSEMBLAGE

MONTAJE

MONTAGE

ASSEMBLAGGIO

MONTAGEM

СБОРКА

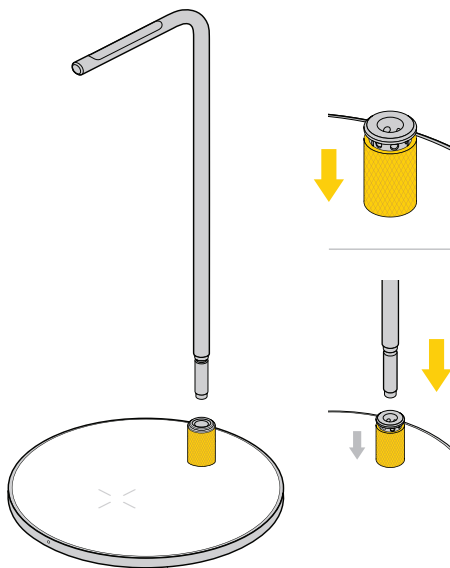
조립

การประกอบ

組み立て

組裝

组装



# CONNECT

CONNECTER

CONECTAR

VERBINDEN

COLLEGAMENTO

CONECTAR

ПОДКЛЮЧЕНИЕ

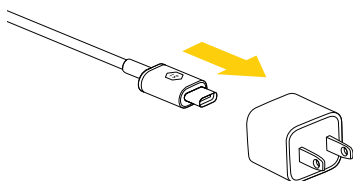
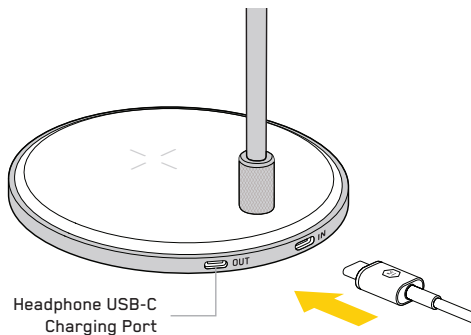
연결

การเชื่อมต่อ

接続

連接

连接



# CHARGE

CHARGER

CARGAR

LADEN

RICARICA

CARREGAR

ЗАРЯДКА

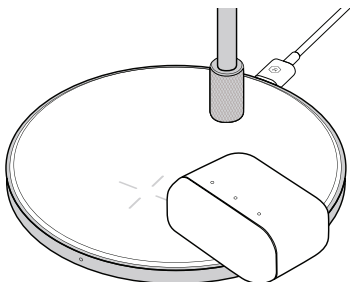
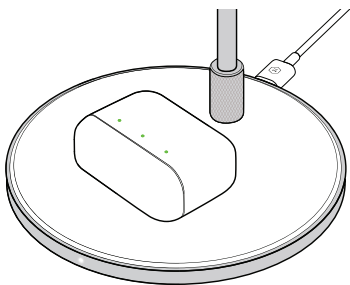
충전

การชาร์จ

充電

充電

充电



# LED INDICATION

INDICATION DEL

INDICACIÓN DEL LED

LED-ANZEIGE

SPIA LED

INDICAÇÃO DO LED

СВЕТОДИОДНЫЙ  
ИНДИКАТОР

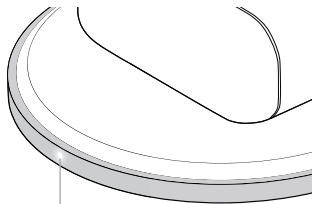
LED 표시

ไฟ LED แสดงสถานะ

LEDインジケーター

LED指示

LED指示



Charging  
Chargement  
Cargando  
Lädt  
In carica  
Carregando  
Идет зарядка  
충전 중  
กำลังชาร์จ  
充電中  
充電  
充電



Error  
Erreur  
Error  
Fehler  
Errore  
Erro  
Ошибка  
오류  
ข้อผิดพลาด  
エラー  
錯誤  
错误

# SAFETY

SÉCURITÉ

SEGURIDAD

SICHERHEIT

SICUREZZA

SEGURANÇA

БЕЗОПАСНОСТЬ

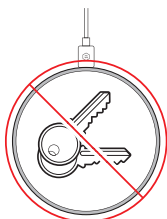
안전

ความปลอดภัย

安全上のご注意

安全

安全



## FCC COMPLIANCE STATEMENT

This device complies with Part 15 of the FCC Rules. Operation is subject to the following two conditions: (1) this device may not cause harmful interference, and (2) this device must accept any interference received, including interference that may cause undesired operation. Changes or modifications not expressly approved by the party responsible for compliance could void the user's authority to operate the equipment.

This equipment has been tested and found to comply with the limits for a Class B digital device, pursuant to Part 15 of the FCC Rules. These limits are designed to provide reasonable protection against harmful interference in a residential installation. This equipment generates, uses and can radiate radio frequency energy and, if not installed and used in accordance with the instructions, may cause harmful interference to radio communications. However, there is no guarantee that interference will not occur in a particular installation.

If this equipment does cause harmful interference to radio or television reception, which can be determined by turning the equipment off and on, the user is encouraged to try to correct the interference by one or more of the following measures:

- Reorient or relocate the receiving antenna.
- Increase the separation between the equipment and receiver.
- Connect the equipment into an outlet on a circuit different from that to which the receiver is connected.
- Consult the dealer or an experienced radio/TV technician for help.

**Product name:** Wireless Charge Pad and Headphone Stand      **Model No:** MC300      **HVIN:** MC300  
**Brand:** Master & Dynamic      **Manufacturer:** NEW AUDIO LLC  
**Output:** Wireless Base 10W, USB-C OUT Port 15W      **Inputs:** 9V=3A      **FCC ID:** 2AGA7MC300  
**Output:** Wireless Base 5W, USB-C OUT Port 10W      **Inputs:** 5V=3A, 9V=2A      **IC:** 20773-MC300  
**Frequency Band:** 112.2-148.6KHz for EU      **H-Field:** -14.53dBuA/m@10m for EU      **Max power value:** 10W

This equipment complies with FCC radiation exposure limits set forth for an uncontrolled environment. This equipment should be installed and operated with minimum distance 20 cm between the radiator and your body.

**DESIGNED BY NEW AUDIO, LLC**  
132 W 31st Street, Suite 701, New York, NY 10001 United States  
**NEW AUDIO DUTCH B.V.**  
Schiphol Boulevard 359, 1118 BJ Schiphol, NETHERLANDS



## ISED COMPLIANCE STATEMENT

This device contains licence-exempt transmitter(s)/receiver(s) that comply with Innovation, Science and Economic Development Canada's licence-exempt RSS(s). Operation is subject to the following two conditions: (1) This device may not cause interference. (2) This device must accept any interference, including interference that may cause undesired operation of the device.

L'émetteur/récepteur exempt de licence contenu dans le présent appareil est conforme aux CNR d'Innovation, Sciences et Développement économique Canada applicables aux appareils radio exempts de licence. L'exploitation est autorisée aux deux conditions suivantes : (1) L'appareil ne doit pas produire de brouillage; (2) L'appareil doit accepter tout brouillage radioélectrique subi, même si le brouillage est susceptible d'en compromettre le fonctionnement.

## ISED RADIATION EXPOSURE STATEMENT

This equipment complies with IC RSS-102 radiation exposure limits set forth for an uncontrolled environment. This equipment should be installed and operated with minimum distance 10cm between the radiator and your body.

Cet équipement est conforme aux limites d'exposition aux radiations IC CNR-102 établies pour un environnement non contrôlé. Cet équipement doit être installé et utilisé avec une distance minimale de 10cm entre le radiateur et votre corps.

Hereby, NEW AUDIO LLC declares that the radio equipment type MC300 is in compliance with Directive 2014/53/EU. The full text of the EU declaration of conformity is available at the following internet address: [www.masterdynamic.com](http://www.masterdynamic.com)

Hereby, NEW AUDIO LLC declares that the radio equipment type MC300 is in compliance with UK Radio Equipment Regulations (SI 2017/1206). The full text of the declaration of conformity is available at the following internet address: [www.masterdynamic.com](http://www.masterdynamic.com)



United Kingdom  
Conformity  
Assessed



Old electrical appliances must not be disposed of together with the residual waste, but have to be disposed of separately. The disposal at the communal collecting point via private persons is for free. The owner of old appliances is responsible for bringing the appliances to these collecting points or to similar collecting points. With this little personal effort, you contribute to recycle valuable raw materials and the treatment of toxic substances.